

**FOR SUBDUED TAB**

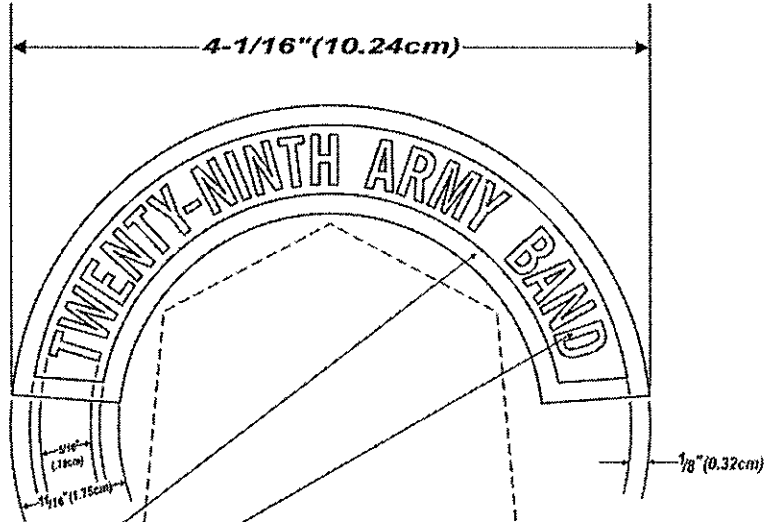
**WOODLAND:**  
BACKGROUND AND BORDER TO BE OD 67133.  
LETTERS TO BE BLACK 67138.

**DESERT:**  
BACKGROUND AND BORDER TO BE KHAKI 67193.  
LETTERS TO BE SPICEBROWN 67198.

**ACU:**  
BACKGROUND AND BORDER TO BE FOLIAGE GREEN  
504 (67202). LETTERS TO BE BLACK 67138.

**REVISIONS**

LTR	DESCRIPTION	DATE	APPROVED
B	STITCH COUNT ADDED	8 DEC '06	 CHARLES V. MUGNO DIRECTOR



**SCARLET**  
CABLE No. 67111  
border and background

**WHITE**  
CABLE No. 67101  
letters

**DESIGNED FOR OVEREDGE STITCHING**

**STITCH COUNT**

**4604 STITCHES (MINIMUM)**

**8/4 SPAN**


**90/2 DENIER**

UNLESS OTHERWISE  
SPECIFIED DIMENSIONS  
ARE IN INCHES  
TOLERANCES ON  
FRACTIONS DECIMALS  
ANGLES

**MATERIALS:**

TO BE MANUFACTURED  
IN ACCORDANCE WITH  
MIL-DTL-14652

THE INSTITUTE OF HERALDRY, DEPARTMENT OF THE ARMY  
9325 GUNSTON RD. S-112 FORT BELVOIR, VA 22060-5579

EXAMINED	<i>SNH</i>	
CHECKED	JAS	pm
PREPARED	CA	
APPROVED	 CHARLES V. MUGNO DIRECTOR	

**TAB**  
**29TH ARMY BAND**  
**VIRGINIA ARMY NATIONAL GUARD**

SIZE CONTROL IDENT. NO  
**A 22571 A - 1 - 890**

SCALE FULL DATE 25 APRIL 2006